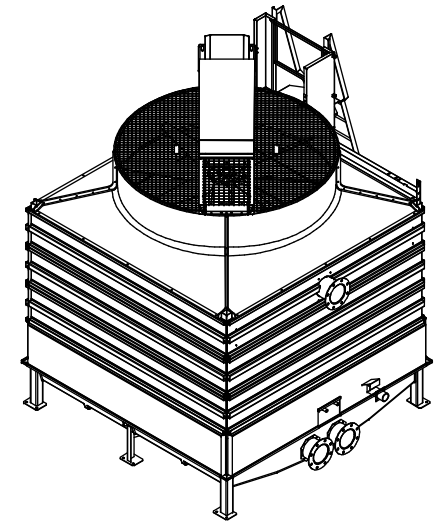
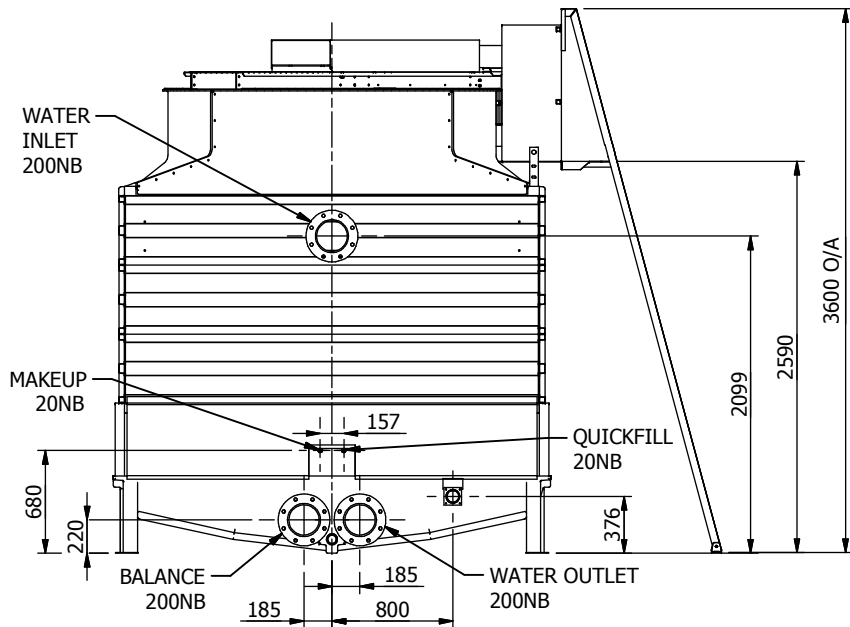


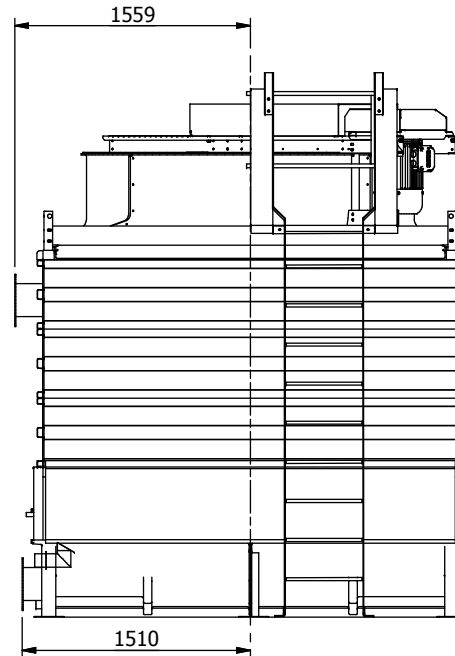
PLAN VIEW
SCALE 1 : 50



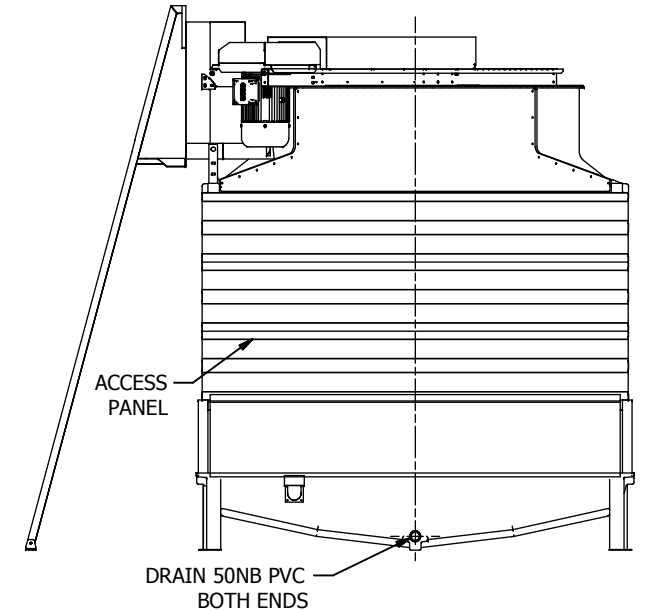
ISOMETRIC VIEW
NTS



FRONT VIEW
SCALE 1 : 50



SIDE VIEW
SCALE 1 : 50



REAR VIEW
SCALE 1 : 50

HEAVIEST SECTION	APPROX SHIPPING WEIGHT	APPROX OPERATING WEIGHT	APPROX OVERFLOW WEIGHT
1358	1550	3375	4125

1. ALL DIMENSIONS ARE IN MILLIMETRES WEIGHTS ARE IN KILOGRAMS.
2. DIMENSIONS SHOWN ARE APPROXIMATE AND SHOULD NOT BE USED FOR PREFABRICATING CONNECTING PIPEWORK
3. PIPE SIZES SHOWN ARE NOMINAL DIAMETER. CONNECTIONS THROUGH 150 ARE 5/8" F. MALE THREAD. CONNECTIONS LARGER THAN 150 ARE TABLE "E" FLANGE PATTERN.
4. FOR MINIMUM SUPPORT REFER TO DRAWING PCT0909-1SP-RF.
5. ALL CONNECTING PIPEWORK TO BE FULLY SUPPORTED BY OTHERS.



TITLE: **PCT COOLING TOWER**
BALTIMORE AIRCOIL COMPANY

DWGBY:	DATE:	MODEL:
	14/01/2019	PCT0909
DWGBY:	DATE:	DRAWING NO:
		0